



**FIRST
NATIONAL
BATTERY**

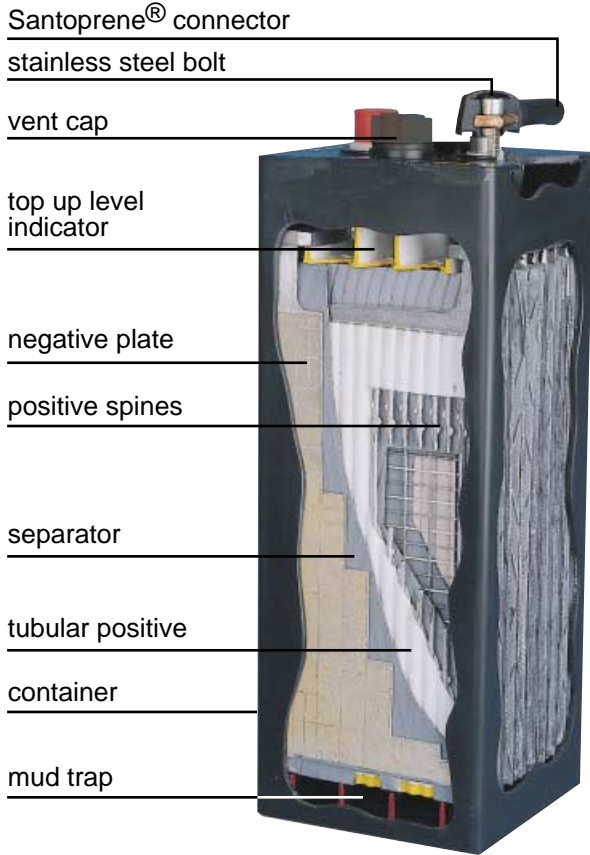
THROUGH CARING WE LEAD™

RAYLITE™

M-Solar Batteries



**ISO 9001
SABS IEC 60254 - 1,2**



Positive Plate

The tubular plate construction incorporates lead alloy spines in complete contact with active material, which is retained by an outer gauntlet. This enables the electrolyte to penetrate freely, ensuring a high power output per unit volume.

Top up Level Indicator

Two ribs on the separator guard serve both as level indicators, and to strengthen the guard.

Negative plate

The negative plate is of a highly porous paste on a lead alloy grid. This complements the positive plate construction, providing a balanced performance and superior life.

Separators

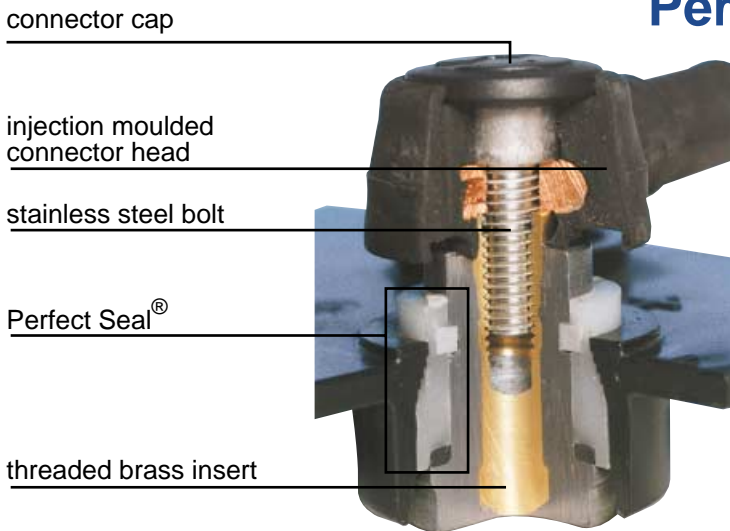
Separators are manufactured from microporous polyethylene and have a generous overlap to reduce the risk of short circuit. They are impervious to acid attack.

Mud Trap

Prevents possible shorting between plates due to active material shedding during the life of the cell.

Container and Lid

The lid is heat-sealed to the container ensuring an excellent bond. This is vital to mechanical strength and safety.



Perfect Seal® Bolt-On Connector

Injection moulded connector head

The bolt-on connector facilitates easy cell replacement. Acid resistant, totally enclosed terminal post, maximum safety. Orifice for voltage readings.

Stainless steel bolt

Corrosion resistant.

Threaded brass insert

Maximises terminal connector conductivity.

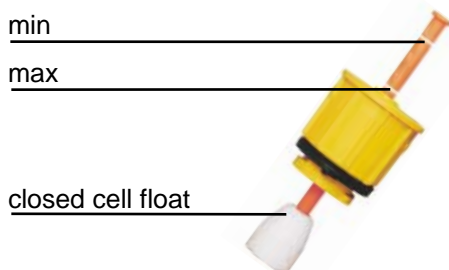
Perfect Seal®

A polypropylene pressure bushing seated on a rubber "O" ring, locked in place by a polycarbonate ring. The cell lid is welded to the container, and polypropylene is injection moulded into the post to lid cavity. This design eliminates acid leaks through the post assembly.

Santoprene® Connectors

- Made of thermoplastic rubber
- Acid resistant
- Abrasion resistant
- Fatigue resistant
- Access for easy voltage checking
- More flexible than PVC cable
- Exceptional moulding bond eliminates contamination
- Built in "O" rings
- Easy and simple to connect

Float Level Indicator



Max / Min Mark

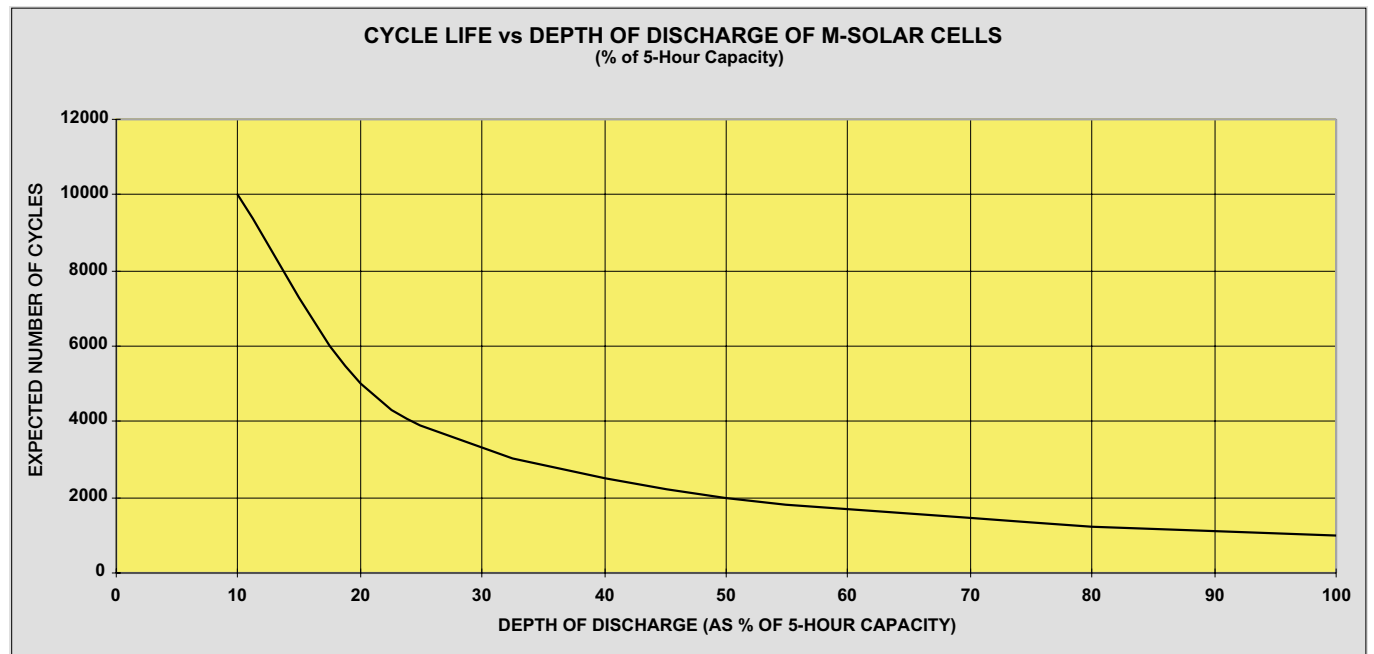
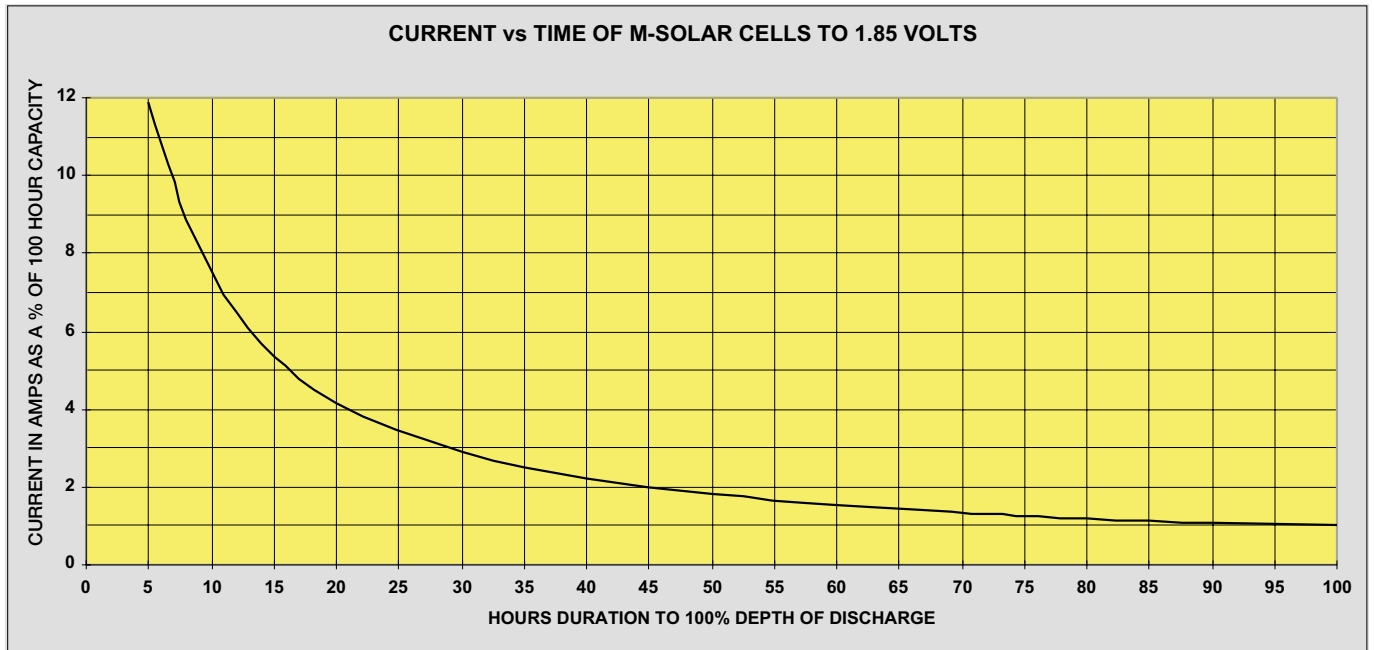
Easily visible and simple to read.

Closed Cell Float

Ensures consistent accuracy over cell life.

Battery Specification

CELL TYPE	BATTERY VOLTAGE	CAPACITY @ 25°C C_{100}	BATTERY DIMENSIONS			APPROX MASS	ACID VOLUME LITRES PER CELL
			Length	Width	Height		
MIL 15 S	6V	530 Ah	585mm	182mm	460mm	80kg	5,6
MIL 17 S	6V	600 Ah	585mm	198mm	460mm	91kg	6,3
MIL 21 S	6V	750 Ah	585mm	230mm	460mm	116kg	8,0
MIL 25 S	6V	900 Ah	585mm	262mm	460mm	133kg	8.2
MTL 25 S	4V	1050 Ah	411mm	262mm	530mm	97kg	10,7
MTE 21 S	4V	1380 Ah	415mm	230mm	740mm	127kg	14,0



First National Battery South Africa

ESTABLISHED IN 1931, FIRST NATIONAL BATTERY IS A LEADING MANUFACTURER OF LEAD ACID BATTERIES IN SOUTH AFRICA.

THE COMPANY PRODUCES MORE THAN 2 000 000 BATTERIES ANNUALLY TO PROVIDE ELECTRICAL POWER FOR PASSENGER CARS, TRUCKS, TRACTORS, FORKLIFT TRUCKS, BOATS, RAILWAY LOCOMOTIVES AND COACHES, UNDERGROUND LOCOMOTIVES AND MINERS' CAP LAMPS, POWER STATIONS, SWITCH YARDS, FARM LIGHTING, SOLAR SYSTEMS, COMPUTERS, TELECOMMUNICATIONS EQUIPMENT ... AND A HOST OF OTHER USES.

FIRST NATIONAL BATTERY ACKNOWLEDGES THAT SUPERIOR TECHNOLOGY, CONSISTENT PRODUCT QUALITY AND DEDICATED CUSTOMER SERVICE ARE MINIMUM REQUIREMENTS TO ENABLE THE COMPANY TO MAINTAIN ITS POSITION AS AN INDUSTRY LEADER.

THE COMPANY'S VALUES ARE REPRESENTED BY IT'S MOTTO: THROUGH CARING WE LEAD

PROOF OF THESE VALUES IS TO BE FOUND IN THE MANY PRODUCT AND SERVICE QUALITY AWARDS AND CERTIFICATES PRESENTED TO FIRST NATIONAL BATTERY OVER MANY YEARS OF SERVICE TO BATTERY USERS.

TRACTION BATTERIES AND CELLS ARE MANUFACTURED AND COMPLY WITH ISO 9001, SABS IEC 60254 -1, 2: 1997.

4 DEDICATED MANUFACTURING SITES

BUFFALO VIEW ROAD, EAST LONDON 6000M² FACTORY
INDUSTRIAL BATTERY MANUFACTURING
FORKTRUCK BATTERIES : STANDBY BATTERIES : MINING BATTERIES

SETTLERS WAY, EAST LONDON 9200M² FACTORY
AUTOMOTIVE BATTERY MANUFACTURING
7000 BATTERIES PER DAY
ALSO TECHNICAL CENTRE

FORT JACKSON 3800M² FACTORY
PLASTIC INJECTION MOULDING
50 TON - 860 TON INJECTION MOULDING MACHINES
15 MILLION PIECES PER ANNUM
ALSO TOOLROOM

LIVERPOOL ROAD BENONI
LEAD SMELTER
8000 TONS RECYCLED LEAD PER ANNUM
ALSO WAREHOUSING & DISTRIBUTION : FORMATION & FINISHING LINE : MARKETING & FINANCE DIVISIONS



FIRST NATIONAL BATTERY
DIVISION OF
METINDUSTRIAL LIMITED

www.battery.co.za

WARRANTY

The manufacturer warrants to the original user that Raylite M-Solar Battery cells will be fit for the purposes for which it is intended to be used and will be free from defects in material and workmanship, under normal use and maintenance, for a period of five (5) years from date of commissioning subject to certain provisos and conditions which are more fully set out in the comprehensive Express Limited Warranty. The comprehensive Express Limited Warranty is also freely available from all suppliers of Raylite M-Solar Battery Cells.

DEALER STAMP

In the interests of continuing advancement we reserve the right to modify specifications without notice.

© "Copyright subsist in this work. Any unauthorised reproduction, adaption and copying of this document are acts of copyright infringements and entitles First National Battery to take legal action (both civilly and criminally) against the infringer." 06/2002 FNB.